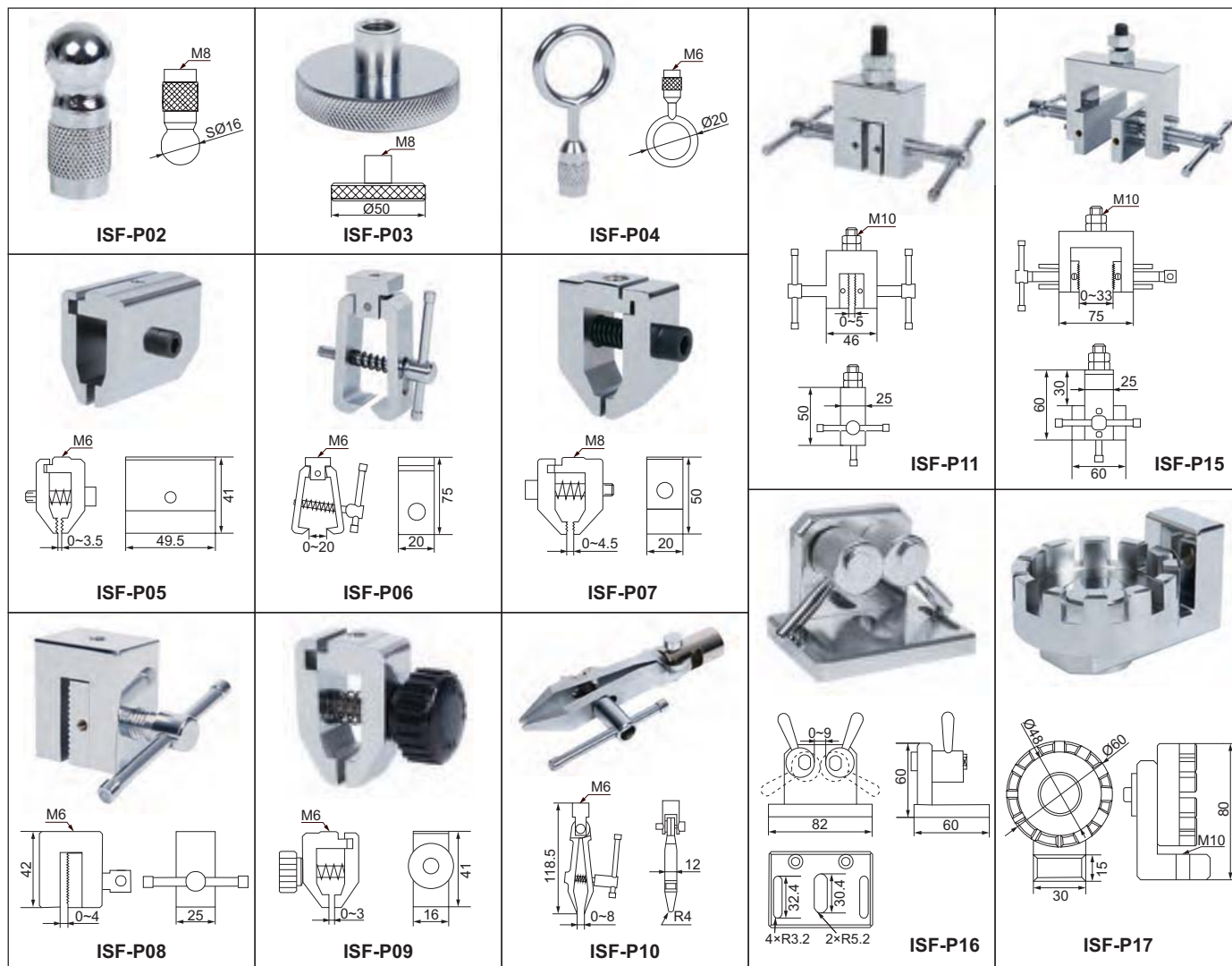


# PUSH TIPS AND PULL CLAMPS FOR FORCE GAGES

■ For force gages (code ISF-DF□□□, ISF-1DF□□□ and ISF-F□□□)

Unit:mm



## SPECIFICATION

### Push tip

Code	Max. load	Diameter	Weight
ISF-P02	5000N	16mm	33g
ISF-P03	3000N	50mm	17g

### Pull ring

Code	Max. load	Diameter	Weight
ISF-P04	500N	16mm	158g

### Pull clamp

Code	Max. load	Jaw opening	Jaw width	Weight
ISF-P05	1100N	0~3.5mm	49.5mm	241g
ISF-P06	1000N	0~20mm	20mm	217g
ISF-P07	500N	0~4.5mm	20mm	190g
ISF-P08	500N	0~4mm	25mm	274g
ISF-P09	140N	0~3mm	16mm	87g
ISF-P10	230N	0~8mm	4mm	173g
ISF-P11	1500N	0~5mm	25mm	484g
ISF-P15	2000N	0~33mm	60mm	742g

### Special pull clamp

Code	Max. load	Opening size	Application
ISF-P16	2400N	0~9mm	for wire pull test, weight 803g
ISF-P17	5000N	1.8~8.4mm	for wire terminal pull test, weight 620g